

LED ZOOMING SPOTLIGHT

OPERATE INSTRUCTION

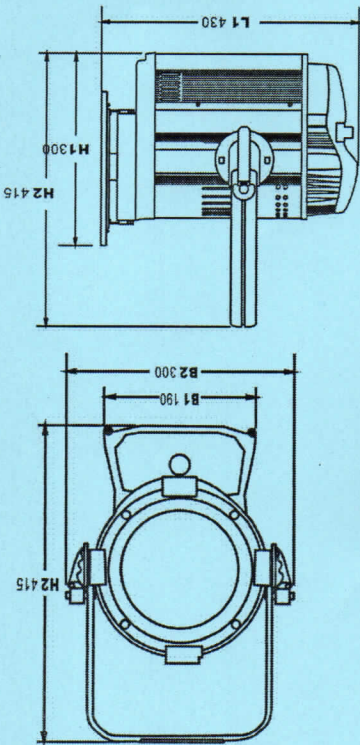
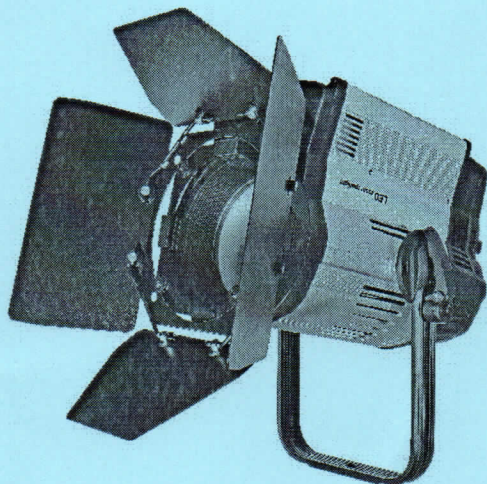
- 1. LED 200W zooming spotlight 1 unit
- 2. Barndoor 1 set
- 3. 250cm 3 pin signal cable 1 pcs
- 4. Power plug 1 pair

• Package and accessories

- ◆ **Functions**
- ◆ Input voltage 100-240V 50-60HZ
- ◆ Power consumption 250W
- ◆ DMX zooming or manual zooming available
- ◆ Zooming scale : 18-65°
- ◆ 16 bit above no shake linear dimming
- ◆ G.W.: 10.5kg N.W.: 8.5kg

• Keys instruction

- ◆ Press Function key display different functions cyclically.
- ◆ Press decrease key and increase key to adjust each function's value.
- ◆ Press confirm key to confirm the function and value.



Special remind: when the multi units power cable mutual input / output connected, each group can connect 10 units, power cable must use 3 X 2.5² grounding.

• Screen display and its function

No.	Screen	Function instruction
1	DMX-ADR 881	Already connect with DMX wire , press "↑" and "↓" keys can adjust address.
2	DMX-ADR 881	not connect with DMX wire. Can set master/slave connected, press "↑" key or "↓" key can adjust address you want.
3	ADJ-14 255	Manual key to dimming, press "↑" key and "↓" key to dimming
4	ZOOM 255	Manual key to zooming, press "↑" key and "↓" key to dimming
5	RESET	Reset model, press "↵" to reset.

• DMX channels functions

- There are 3 DMX channels
- CH1: dimming (0-255)
- CH2: zooming (0-255)
- CH3: Reset (245-255)

• Master/slave connect introduce

Set all units address same as "01", off DMX signal, can set any unit as master, set functions on the master unit by the Function key.